

# 140R A.C Mount

GM LS Series Truck Motor



## Technical Information

This bracket system is designed for Gen III GM LS series Truck Motors with the standard 105 amp. Alternator applications (see belt disclaimer below). AS WITH ANY PART OF THIS NATURE, MAKE SURE IT FITS YOUR APPLICATION BEFORE PAINTING OR PLATING. PARTS THAT HAVE BEEN PAINTED, PLATED OR MODIFIED MAY NOT BE RETURNED.

- To insure proper function and installation of this product, please read the following detailed instruction (steps 1-5).
- Unless noted, be sure to start all bolts before tightening.

### PARTS YOU WILL NEED:

- A.C. Compressor (Sanden 508 part# 4514 or comparable).

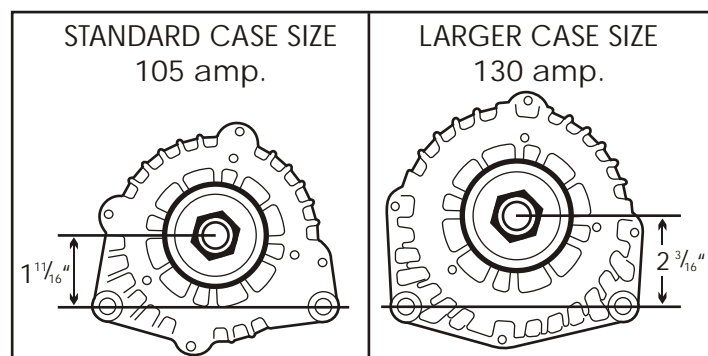
### PARTS INCLUDED IN THIS KIT:

- Front and rear A.C. Bracket plates.
- All necessary hardware and illustrated instructions.
- Heavy duty automatic belt tensioner.
- 112 $\frac{1}{8}$ " Six rib belt (Dayco# 5061115)

\*BELT DISCLAIMER: The belt included in this bracket kit is designed for standard 105 amp. Alternator applications. If your application is using the optional larger case size 130-145 amp. alternator; a smaller idler pulley at the factory alternator mount will be necessary for proper fitment of the included 6 rib belt (SEE ALTERNATOR DIMENSIONS BELOW). This smaller idler pulley is readily available at any auto parts store listed under part numbers:

Dayco # 89007, Gates# 38006, AC Delco# 38006 or GM# 88909587.

\*NOTE: When installing the smaller idler pulley be sure and use the existing factory hardware from the larger pulley you removed.

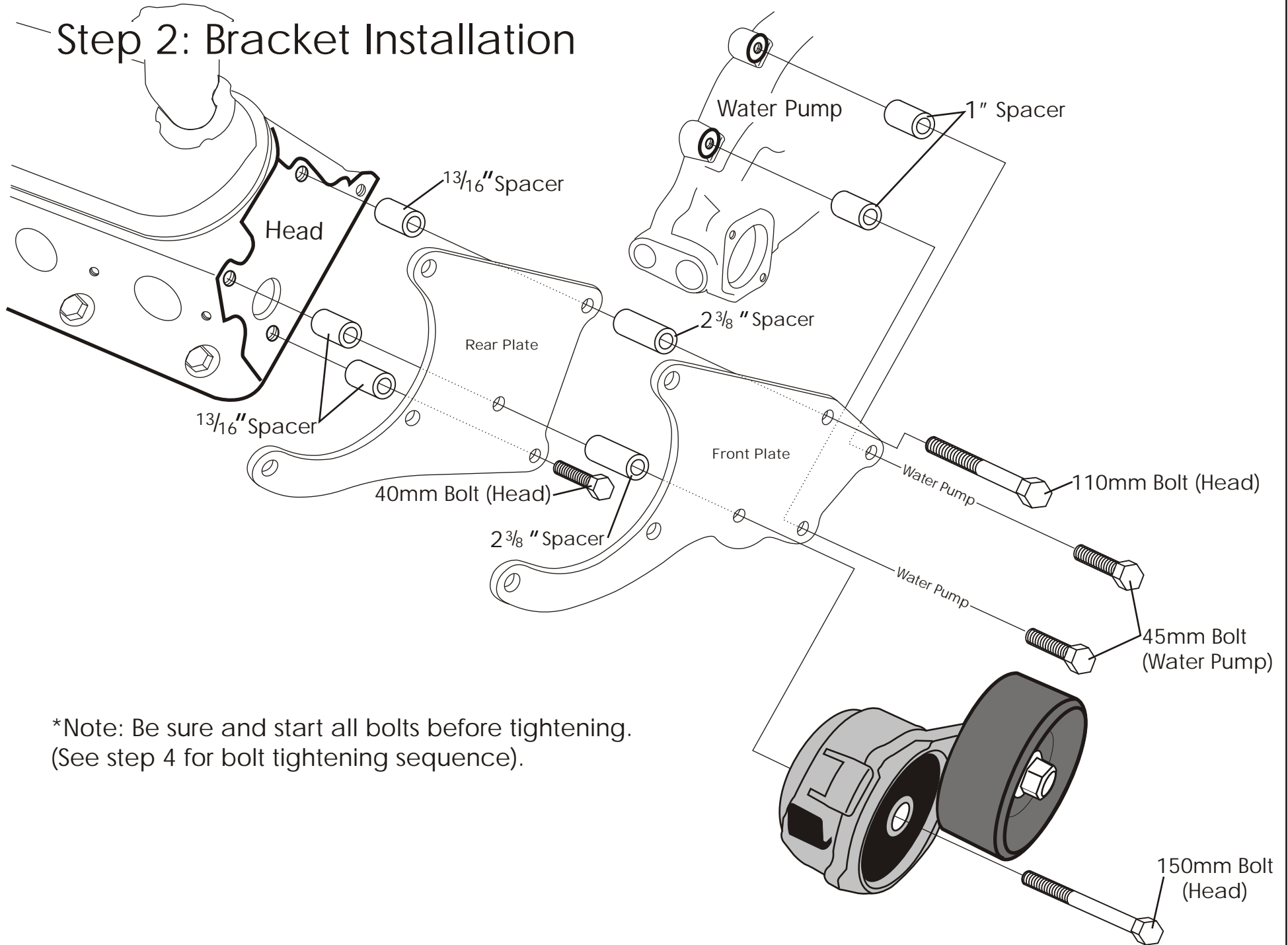


## Step 1: Remove Factory Equipment

- Before you begin bracket installation; the removal of the factory six-rib belt and tensioner is necessary.

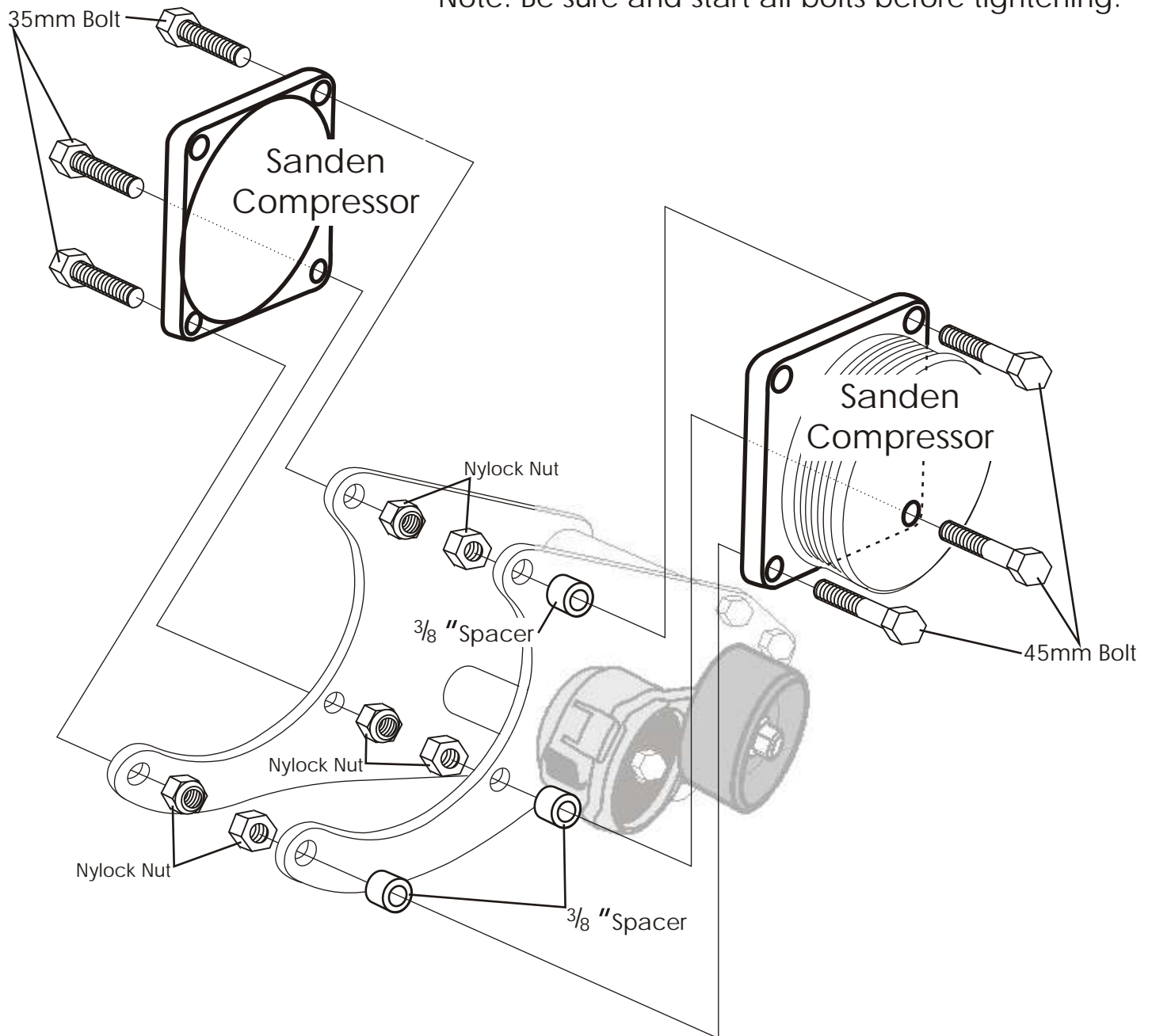
\*NOTE: On early LS motors the passenger side head mounted EGR will need to be removed. GM EGR block-off plate ( GM#12558346) will be needed at the intake manifold. Howell Engine Development can assist with ECM modification for early LS applications ( 810)-765-5100.

## Step 2: Bracket Installation



## Step 3: Compressor Installation

\*Note: Be sure and start all bolts before tightening.



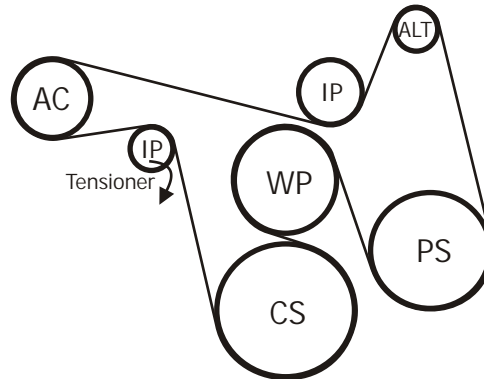
## Step 4: Bolt Tightening

When tightening bolts: Lift up on the A.C. Compressor and tighten the 3 bolts that are threaded into the cylinder head. Next: tighten the 2 bolts at the water pump. Last: tighten all remaining bolts at the A.C. Compressor.

# Step 5: Install Belt

\*NOTE: Sanden A.C. compressors are equipped with a 7 groove clutch pulley; only the inner six grooves will be used in this application (see belt routing below).

## Belt Routing



\*BELT DISCLAIMER: The belt included in this bracket kit is designed for standard 105 amp. Alternator applications. If your application is using the optional high output 130-145 amp. alternator; a smaller idler pulley at the factory alternator mount will be necessary for proper fitment of the included 6 rib belt (SEE ALTERNATOR DIMENSIONS ON FRONT PAGE). This smaller idler pulley is readily available at any auto parts store listed under part numbers:

Dayco # 89007, Gates# 38006, AC Delco# 38006 or GM# 88909587.

\*NOTE: When installing the smaller idler pulley be sure and use the existing factory hardware from the larger pulley you removed.

A.C.  
Compressor  
Mount  
14OR  
GM LS Series Truck Motor  
Passenger Side

ALAN GROVE COMPONENTS, INC.  
27070 METCALF ROAD  
LOUISBURG, KS 66053